

Widespread Lavatory Faucets 6"-12" Centers

TECK[®]
COMMERCIAL

DELTA[®]

SPECIFICATION: (EXAMPLE)

- Two handle widespread lavatory faucet
- 152 to 305mm (6" to 12") adjustable centers
- Polished chrome-plated finish trim
- **CAST BRASS** bodies
- 4 1/2" **CAST BRASS** spout or 3/8" IPS **Brass Pipe** Rigid/Swivel Gooseneck Spout
- Metal hold-down package
- Color indexed metal handles with vandal resistant screws
- **CER-TECK**® 1/4 turn ceramic structures
and... with... (add product variation required)
with... (add outlet required)
with... (add handle required)
with... (add suffix **-TI** if required – see back page)

23C334



23C644



Engineer/Architect Approval

Model Specified:

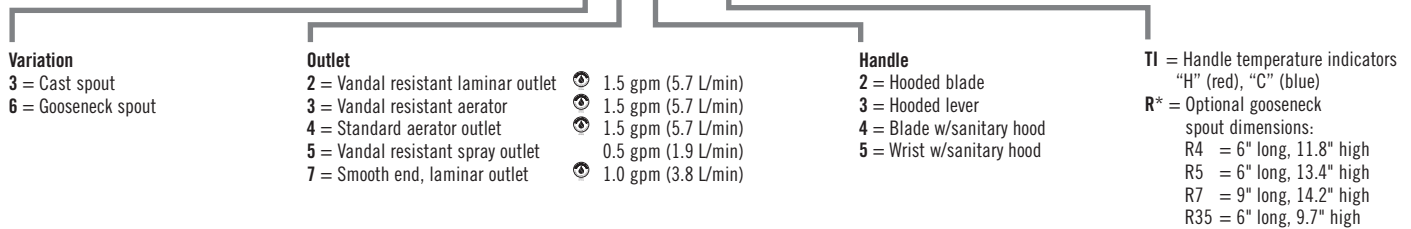
Approval:

Date:

MODEL NUMBER EXAMPLE:

Configurations vary, see below for availability.

23C334-TI



AVAILABLE MODELS	VARIATIONS	
	3 Cast Spout	6 Gooseneck R2 Spout
2 Hooded Blade 4" (102 mm)	23C322 23C332 23C342 23C352	23C622 23C622-R4 23C632 23C632-R5 23C632-R7 23C642 23C642-R4
3 Hooded Lever 3" (76 mm)	23C323 23C333 23C343 23C353	23C633 23C643 23C653 23C673 23C673-R35
4 Blade with Sanitary Hood 4" (102 mm)	23C324 23C334 23C334-TI 23C344 23C354	23C624 23C624-R4 23C624-R7 23C634 23C634-R4 23C634-R7
5 Wrist with Sanitary Hood 6" (152 mm)	23C335	23C625 23C645-R7 23C675-R5
		23C644 23C644-R4 23C644-R7 23C654 23C654-R4 23C674 23C674-R4 23C674-R7 23C674-TI

Refer to www.specselect.com for individual models.

Flow Rates are at 60 PSI.
Note: Use this page front and back as a product submittal sheet.

Delta reserves the right (1) to make changes in specifications and materials, and (2) to change or discontinue models, both without notice or obligation. Dimensions are for reference only. See current full-line price book or www.specselect.com for finish options and product availability.


DSP-23C Rev. 6

Widespread Lavatory Faucets 6"-12" Centers

TECK
COMMERCIAL

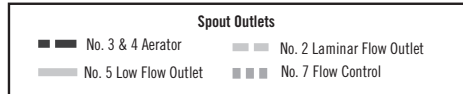
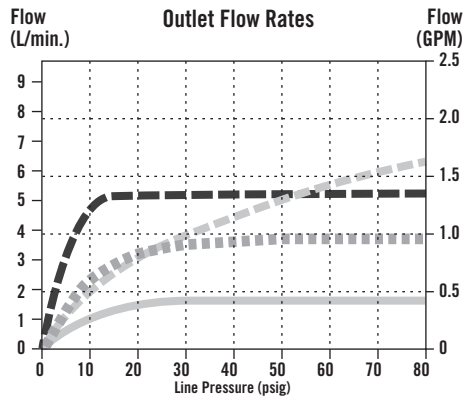
DELTA

APPROVALS:

- CSA certified
- Complies to ASME A112.18.1/CSA B125.1
- Indicates compliance to ICC/ANSI A117.1
-  Outlet options 2, 3, 4 and 7 are EPA WaterSense listed
- Verified compliant with 0.25% weighted average Pb content regulations

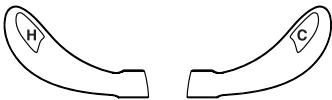
(Contact Delta Representative for State and/or Local Approvals.)

FLOW RATE vs PRESSURE



HANDLE TEMPERATURE INDICATORS

- ☐ Suffix "-TI" signifies handle temperature indicators "H" (red), "C" (blue). Available on selected models.

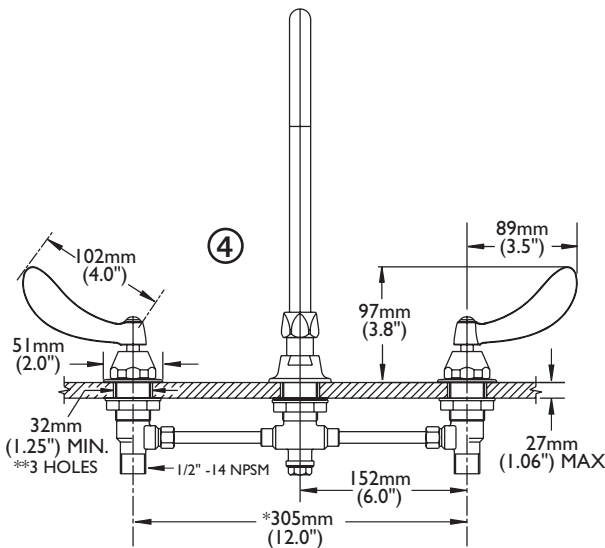


FOR OPTIONAL RIGID/SWIVEL & LIMITED SWING SPOUTS

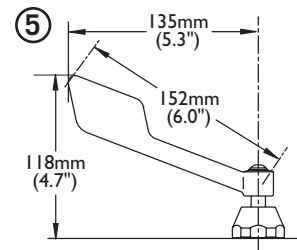
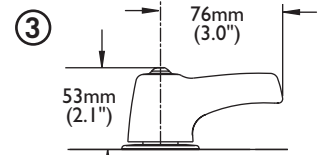
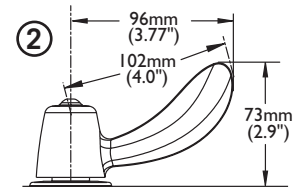
See DSP-R/S for detailed specification.

OUTLET NO.	GOOSENECK SPOUT "D"		CAST SPOUT "D"	
	mm	in.	mm	in.
2	18	0.69	11	0.45
3	18	0.69	11	0.45
4	17	0.67	11	0.45
5	18	0.69	11	0.45

FRONT VIEWS



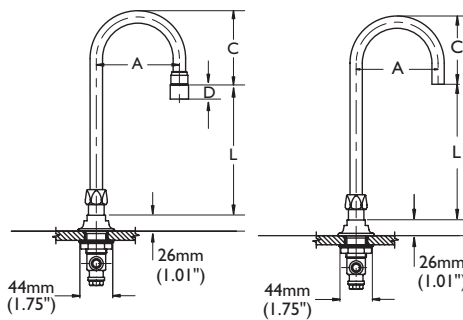
* CAN BE CUT IN FIELD TO 152mm (6.0") MINIMUM INLET FOR 3/8" OR 1/2" FLEXIBLE RISER OR 1/2-14 NPSM COUPLING NUT (NOT SUPPLIED)



GOOSENECK SPOUT

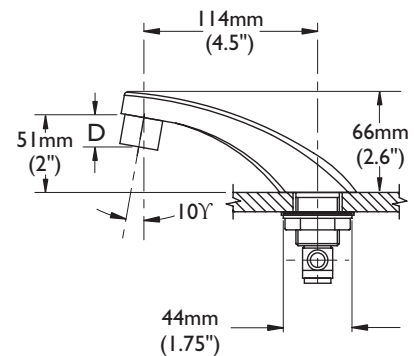
Outlets #2, 3, 4, 5

Outlet #7



**Spout hole 38mm (1.5") maximum diameter.

CAST SPOUT



GOOSENECK SPOUT ASSEMBLIES

SPOUT/OUTLET	"A"		"C"		"L"	
	mm	in.	mm	in.	mm	in.
Gooseneck-Standard (R2) for outlets #2, 3, 4 & 5	114	4.5	104	4.1	170	6.7
Gooseneck-Standard (R2) for outlet #7	114	4.5	97	3.8	178	7.0

Note: Measurements may vary ± 6mm (0.25")

Refer to www.specselect.com for individual models.

Note: Use this page front and back as a product submittal sheet.

DSP-23C Rev. G

Delta reserves the right (1) to make changes in specifications and materials, and (2) to change or discontinue models, both without notice or obligation. Dimensions are for reference only. See current full-line price book or www.specselect.com for finish options and product availability.